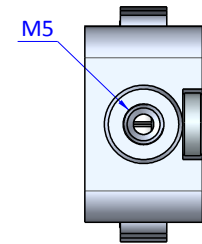
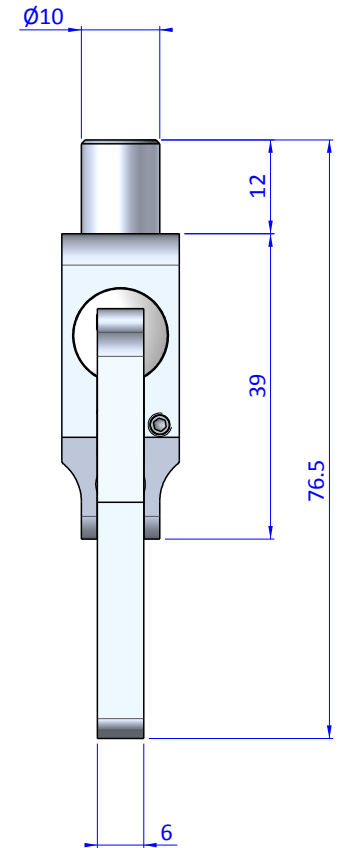
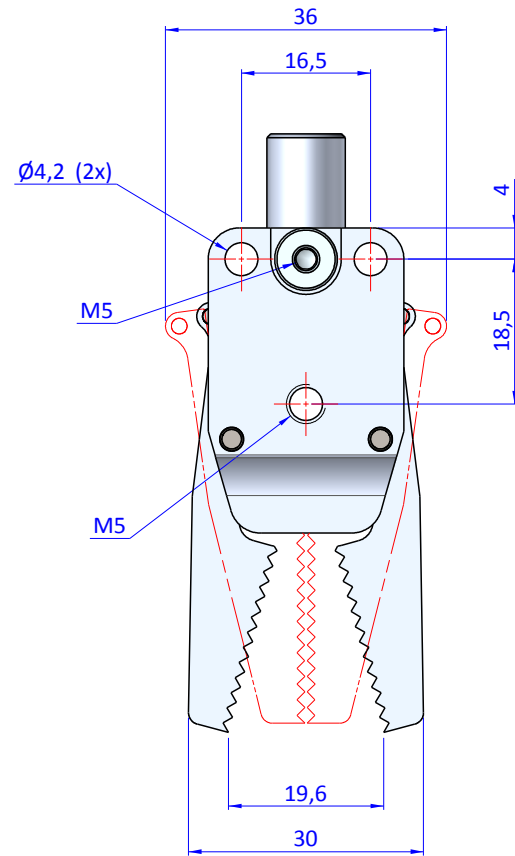
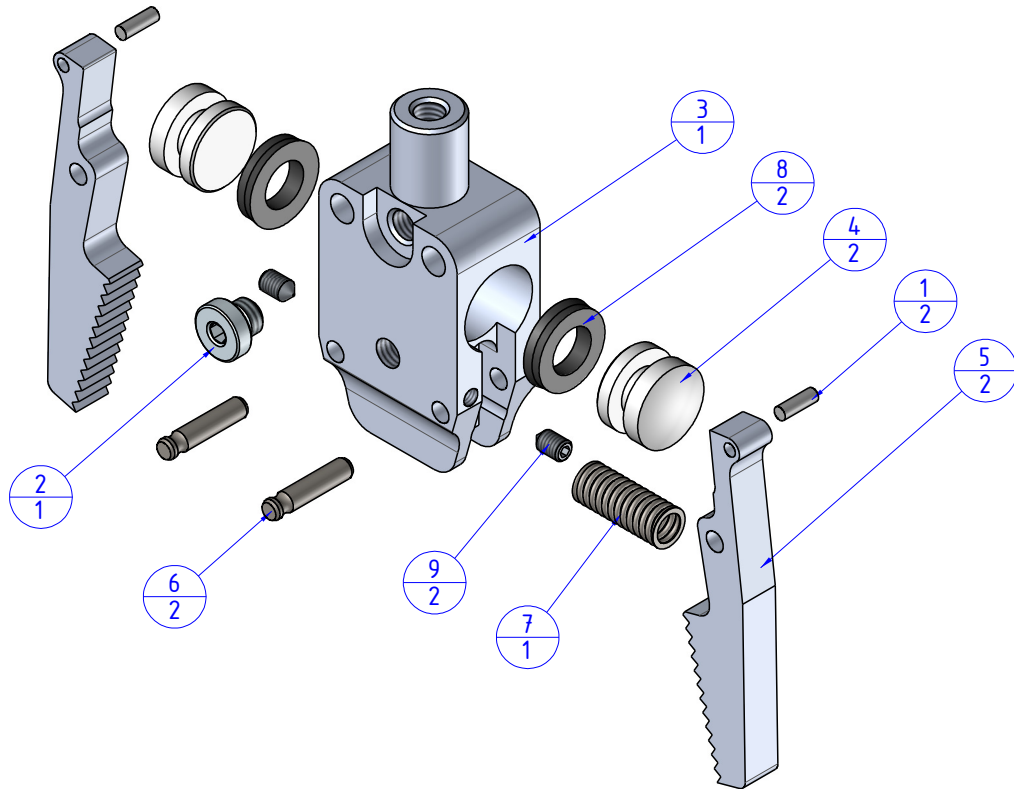



THE PROPERTY OF THE DRAWING IS ESTABLISHED BY LAW. IT IS FORBIDDEN TO PRODUCE OR SHOW IT TO THIRD PARTS WITHOUT A WRITTEN AGREEMENT.

Item	Name	Qty.
1	GZA.10.12.9	2
2	CA.08.14.013	1
3	GZA.10.12.1.L	1
4	GZA.10.12.2	2
5	GZA.10.12.3.MF	2
6	GZA.10.12.5	2
7	M.6x25.SH	1
8	PSP.1269255	2
9	V.STM3X5	2



Format A3

UNI 936-76

 FPS FPSERVICES AUTOMATION		DESIGNED FROM		REVIEW
		FPS Automation		A
GENERAL TOLERANCE		DATE	WEIGHT	
UNI - ISO 2768		10/07/2019	0,058kg	
CLASSE f		CODE		
		CA.GZA.10.12.MF		CA.GZA.10.12.MF